

# Technical data sheet



## Product features

### Cooling counter GN 1/1, pizza, 2 door, without display

<b>Model</b>	<b>SAP Code</b>	00009877
--------------	-----------------	----------



- Material: Stainless steel
- GN / EN size in device: GN 1/1
- Number of GN / EN: 2
- Number of doors: 2
- Control type: Digital
- Minimum device temperature [°C]: -2
- Maximum device temperature [°C]: 8
- Max ambient temperature [°C]: 43
- Insulation thickness [mm]: 50
- Unit: Right

<b>SAP Code</b>	00009877	<b>Number of doors</b>	2
<b>Net Width [mm]</b>	1492	<b>Number of GN / EN</b>	2
<b>Net Depth [mm]</b>	800	<b>GN / EN size in device</b>	GN 1/1
<b>Net Height [mm]</b>	900	<b>Minimum device temperature [°C]</b>	-2
<b>Net Weight [kg]</b>	223.00	<b>Maximum device temperature [°C]</b>	8
<b>Power electric [kW]</b>	0.247	<b>Refrigerant</b>	R290
<b>Loading</b>	230 V / 1N - 50 Hz	<b>Climate class</b>	4
<b>Energy class</b>	D		

# Technical data sheet



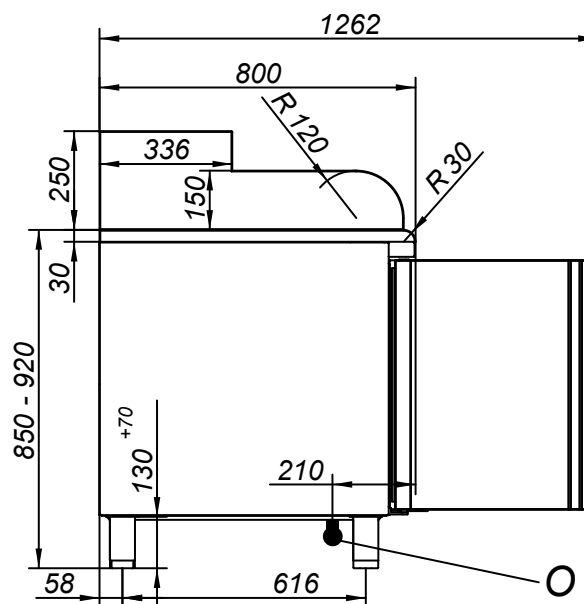
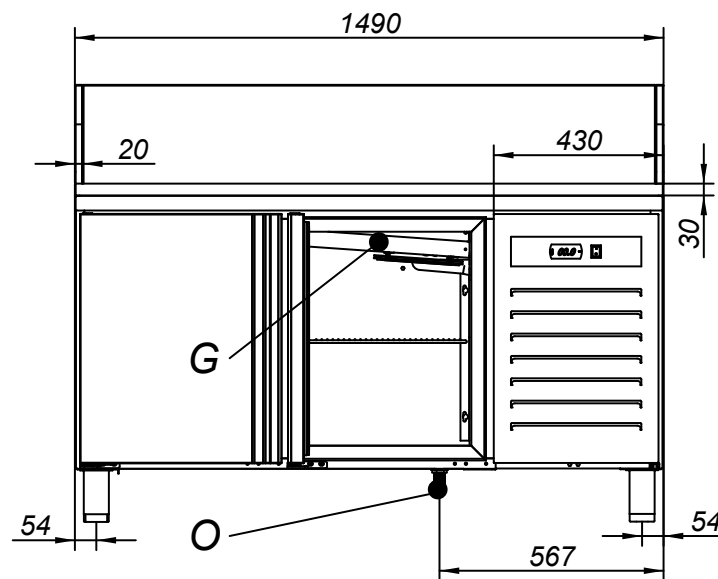
Technical drawing

Cooling counter GN 1/1, pizza, 2 door, without display

Model

SAP Code

00009877



G - Evaporator  
O - Drainage

# Technical data sheet



## Technical parameters

### Cooling counter GN 1/1, pizza, 2 door, without display

<b>Model</b>	<b>SAP Code</b>	00009877
--------------	-----------------	----------

**1. SAP Code:**

00009877

**2. Net Width [mm]:**

1492

**3. Net Depth [mm]:**

800

**4. Net Height [mm]:**

900

**5. Net Weight [kg]:**

223.00

**6. Gross Width [mm]:**

1550

**7. Gross depth [mm]:**

840

**8. Gross Height [mm]:**

1200

**9. Gross Weight [kg]:**

236.00

**10. Device type:**

Electric unit

**11. Power electric [kW]:**

0.247

**12. Loading:**

230 V / 1N - 50 Hz

**13. Energy class:**

D

**14. Refrigerant:**

R290

**15. Cooling type:**

Dinamic

**16. Material:**

Stainless steel

**17. Min ambient temperature [°C]:**

10

**18. Max ambient temperature [°C]:**

43

**19. Device properties 2:**

Cooling

**20. GN / EN size in device:**

GN 1/1

**21. Number of GN / EN:**

2

**22. Adjustable feet:**

Yes

**23. Pizza design:**

Yes

**24. Insulation thickness [mm]:**

50

**25. Number of doors:**

2

**26. Unit:**

Right

**27. Control type:**

Digital

**28. HACCP:**

Yes

# Technical data sheet



Technical parameters

Cooling counter GN 1/1, pizza, 2 door, without display

Model

SAP Code

00009877

**29. Minimum device temperature [°C]:**

-2

**32. Net Volume [m3]:**

1,074

**30. Maximum device temperature [°C]:**

8

**33. Climate class:**

4

**31. Gross Volume [m3]:**

1,562

**34. Cross-section of conductors CU [mm<sup>2</sup>]:**

0,5

- Výkon (kW): 2,4-3,3 (230 V)